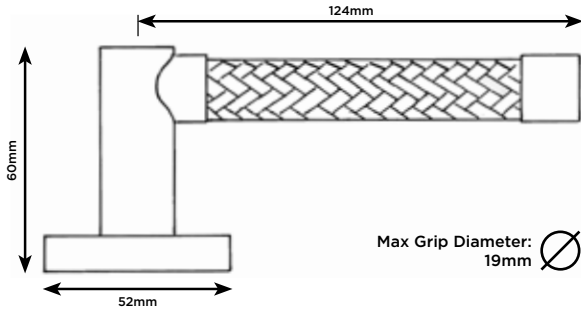




R2076

RECESS LEATHER

WOVEN LEATHER BARREL DOOR LEVER



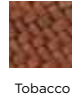
Dimensional tolerance +/- 1.5mm



Metal Finishes



Leather Finishes



FINISHES

CONFIGURATIONS / FIXINGS

- Sprung as standard, unprung available upon request.
- Through bolt fixing with **M4 X 60mm through bolts** (max door thickness 45mm). Please inform Sales if fitting to thicker doors.
- **8 x 8 x 110mm slotted spindle.**

ROSE / PLATE OPTIONS

	52mm Round	R2076
	52mm Round Privacy	R2236
	52mm Square	R2237
	52mm Square Privacy	R2238
	US Pre-Bore	R2697
	US Pre-Bore Privacy	R2698



Please see relevant cut sheet for rose/plate details

COORDINATING ACCESSORIES

	Accessories	S1421, S1422, S1041, S1042		Furniture Knob	R1200, R1201, R1199, R2153
	Door Pull	R1067, R1068, R1081, R2675		Furniture Pull	R1173
	Window Hardware	R2527, R2556, R2542		Bathroom Accessories	R1217, R1218, R1219

TURNSTYLE DESIGNS LTD

Baron Way, Roundswell Business Park, Barnstaple, Devon, EX31 3TB, England
 +44 (0)1271 325325 / www.turnstyledesigns.com / sales@turnstyledesigns.com